

M SUB

The M SUB is a hybrid transmission line cabinet loaded with the M-Force 301P02 transducer for infra and subwoofer applications. The design has been optimized for producing very high SPL down to 22 Hz.

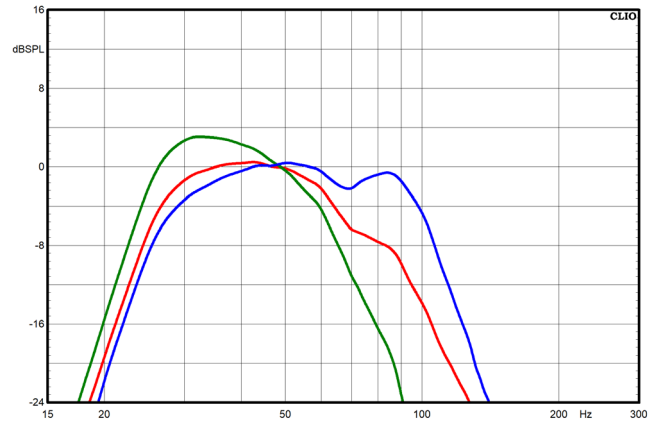
The M SUB can be used as a subwoofer or as infra add-on to your install or touring sound reinforcement system.

The maximum SPL is measured at 146.2 dB @ 1m (ANSI/CEA2010B), undistorted and long time, being the M-Force power-compression-free by design, while the DPC ensures maximum control over the sub-bass spectrum.

The four available presets ensure ample coverage for different music programs: Standard, Punch, Infra, and a Cardioid version of the Standard one.



Frequency Response (half space)



Acoustic and Mechanical Specifications

Frequency Response - Standard Preset	●	24 Hz - 90 Hz (-10 dB) Half Space
Frequency Response - Punch Preset	●	26 Hz - 105 Hz (-10 dB) Half Space
Frequency Response - Infra Preset	●	22 Hz - 70 Hz (-10 dB) Half Space
Dimensions (W x H x D)		802 x 1133 x 964 mm 31.6 x 44.6 x 38 in
Estimated Weight		150 kg*

*Weight may vary depending on construction and accessories.

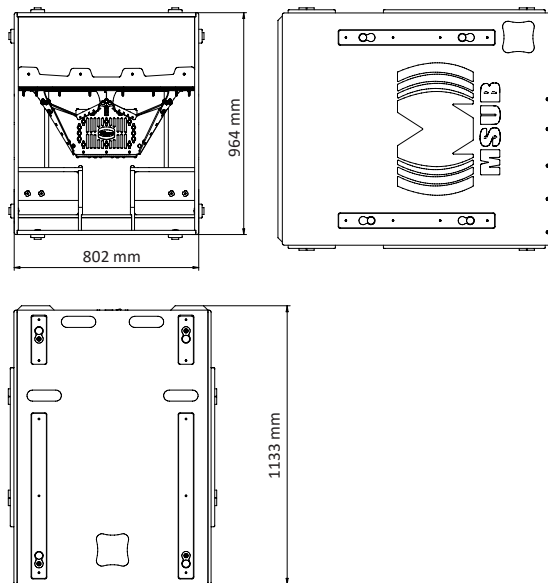
DSP Specifications

AD/DA Converter	24 bit @ 48 kHz
Input Delay	340 ms
Equalizer	Complete parametric equalizers and IIR filters set
Available presets (with full protection)	Standard, Punch, Infra, Cardioid Standard
ArmoniaPlus™ remote control environment under Ethernet connectivity	

M-Drive Specifications

V Peak	310 V _{peak}
A Peak	200 A _{peak}
Nominal Power Requirement	AC 100 V - 240 V, 50/60 Hz
Long Term Mains Power Consumption	1500 W

Dimensions



Bill of Materials

Name	Code	Description
M-FORCE 301P02	PF000605	MF01 MS 30" HDPE 3 MM W
M-Drive amp module	PF000315	M-Drive
DPC Sensor	SM000530	DPC Pressure Sensor
DSP-Lite EM	DSPLE005	DSP Lite EM for M Drive
Heatsink for M-Drive	HSOMD001	Heatsink M-Drive kit (with EMC filter, fans, power supply connectors)
USB-RS485 Converter	PC000096	M-Drive programming interface (only one needed for multiple builds)

