



APPLICATION NOTES

DSP ADAPTER BOARD

ADAPTER BOARD FOR DIGIMOD3000PFCSU IPALMOD DSP-LITE

In this application note is shown how to connect a DSP-Lite to a Digimod3000PFCSu or to an IpalMod by the using an adapter board.

Bill of Materials

Code	Description	Number
SM001265.01	DSP Adapter Board	1
	Screws M3x6	2
PF000193	IpalMod (alternative 1)	1
PF000192	Digimod3000PFC SU (alternative 2)	1
DSPLXXX	DSP-Lite	1

Table 1 – Bill of Materials



Screws M3x6

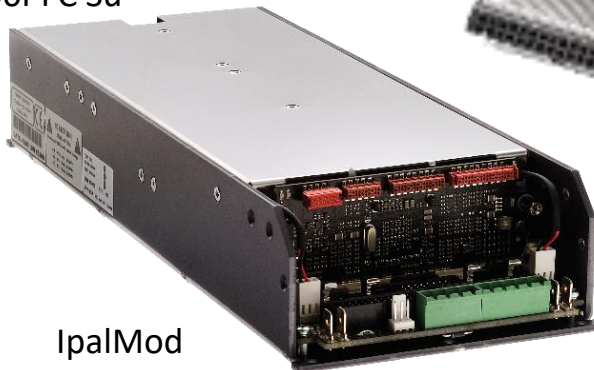
Adapter Board



Digimod3000PFC Su



DSP-Lite



IpalMod

Figure 1 – Bill of Materials



Adapter Board Setup

- 1) Setup dip switches of adaptor board as described in the following picture 2 and verify the presence of the resistance highlighted depending on the chosen module.

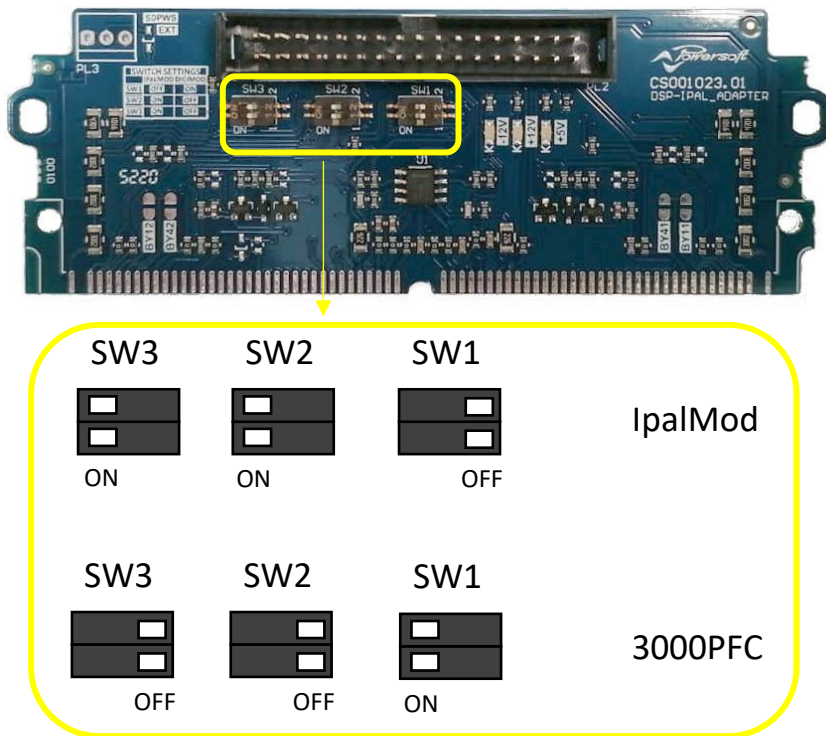
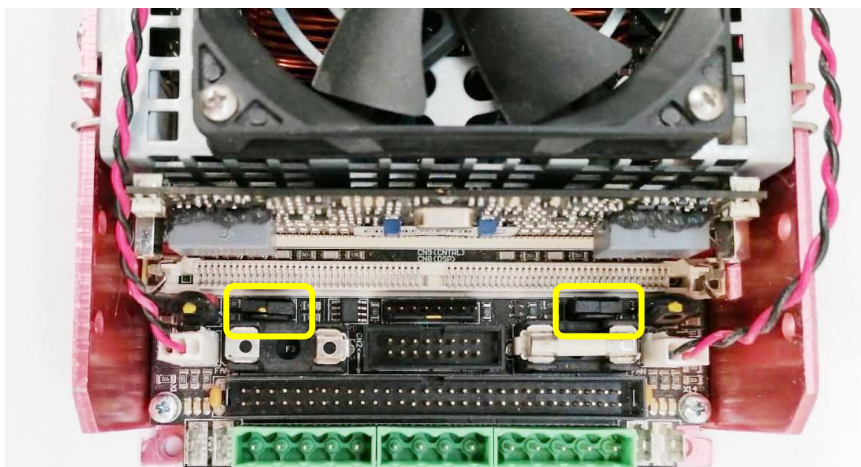


Figure 2 – Adapter Board, dip switch configuration for both Digimod Family and IpalMod

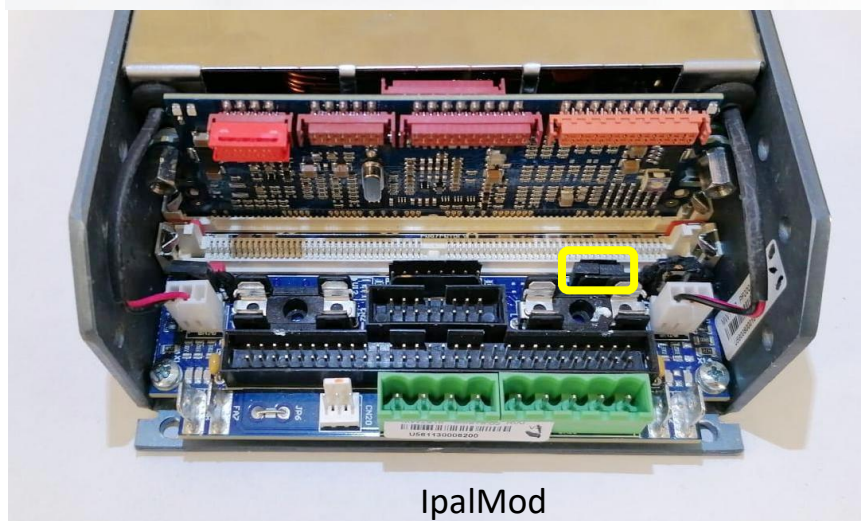


Module Setup

Make sure jumpers distributing signal, are inserted into the module as in the picture 3.



3000PFC



IpaMod

Figure 3 – Jumpers distributing signal



Armonia Plus Setup (only for IpalMod)

- 1) Initialize the IpalMod updating it to the latest firmware release by ProManager Plus.
- 2) Connect it to ArmoniaPlus and disable the external potentiometer remembering to disengage the “safe mode” (picture 4).



Figure 4 – IpalMod; disable attenuation knob



Adapter Board Insertion and connection

Insert the adapter board into the spare SIMM connector of the chosen module, move it into vertical position and screw it to hexagonal stand offs, making sure the clips are well inserted.

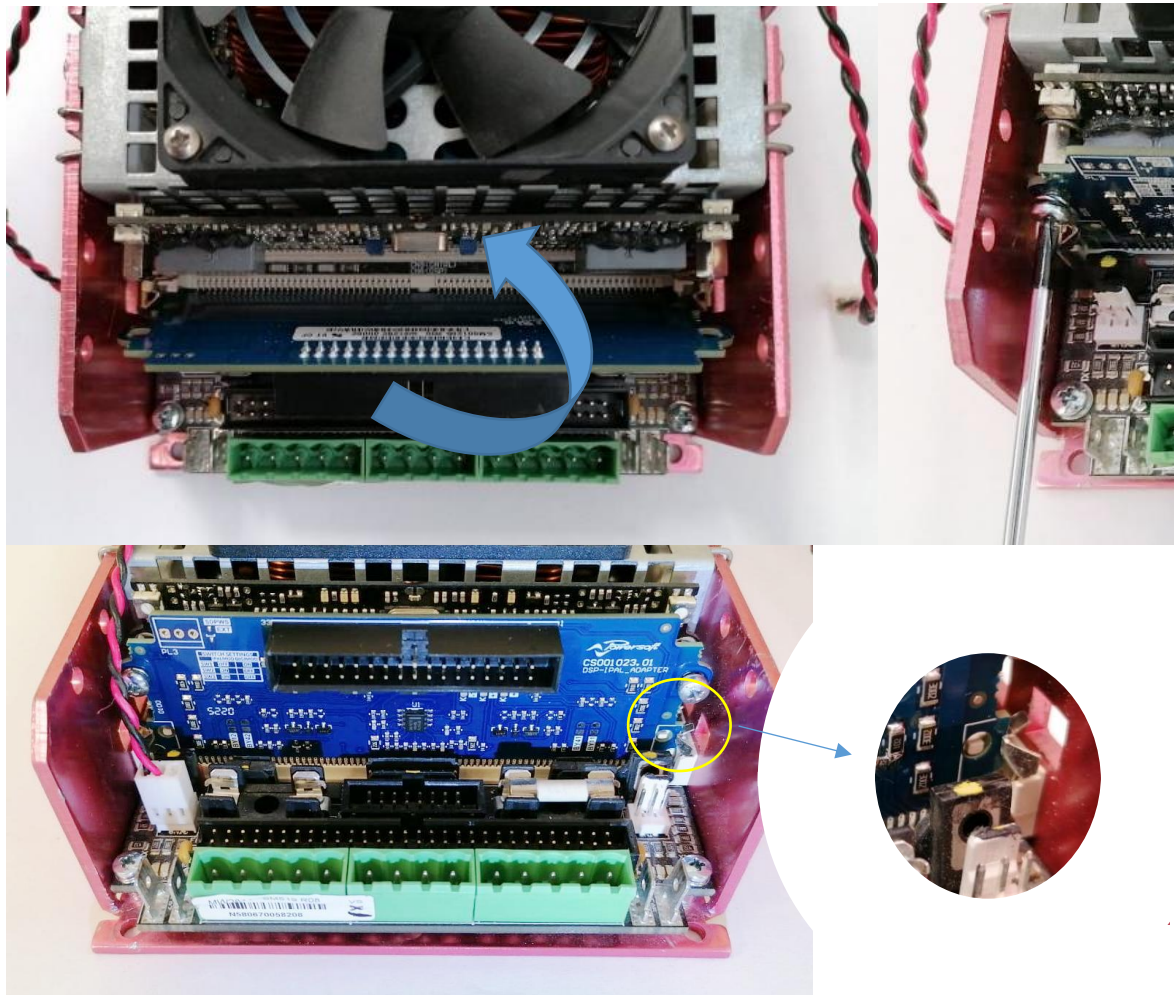


Figure 5 – Adapter insertion



Insert the ribbon cable from DSP-Lite into the 34 poles connector of the adapter board as in picture 6.

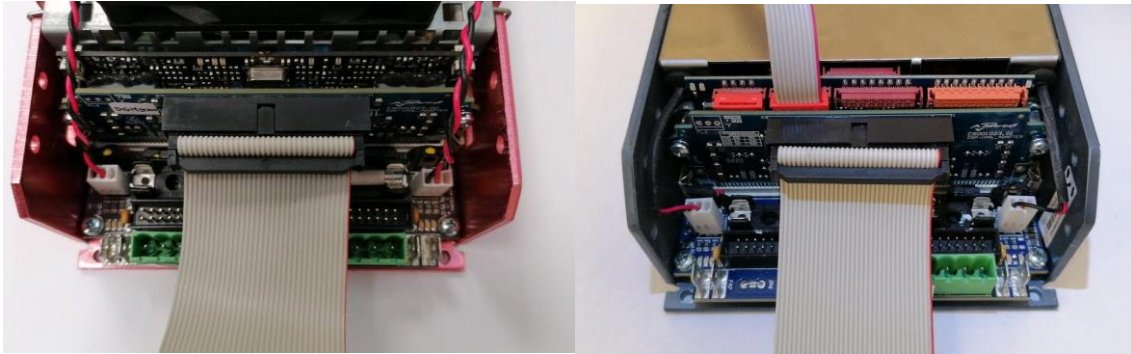


Figure 6 – Digimod3000PFC Su and IpalMod, Ribbon cable insertion

Trouble shooting

Audio doesn't come up	Check up jumpers of figure 3
	For IpalMod make sure you have disabled external potentiometer
	Make sure you have correctly inserted the board into the SIMM connector and ribbon cable.
	Make sure you have initialized DSP -Lite by ProManagerPlus according to the chosen module.
DSP-Lite doesn't turn on	Make sure you have correctly inserted the board into the SIMM connector and ribbon cable.
IpalMod doesn't supply any power to speaker	Make sure you have disengaged the "safe mode" after having disable external potentiometer.



Document Title: DSP ADAPTER BOARD

Reference: DO000285.00 REV.01

Powersoft S.p.A

Via E. Conti, 5- Scandicci (Fi) 50018- Italy
TELEPHONE: +39 055 7350230

For questions about sales, application and technical support, service, maintenance, and compliance, please refer to the powersoft website www.powersoft.com

