

SHOPPING CENTER

Shopping Center Application

System Overview:

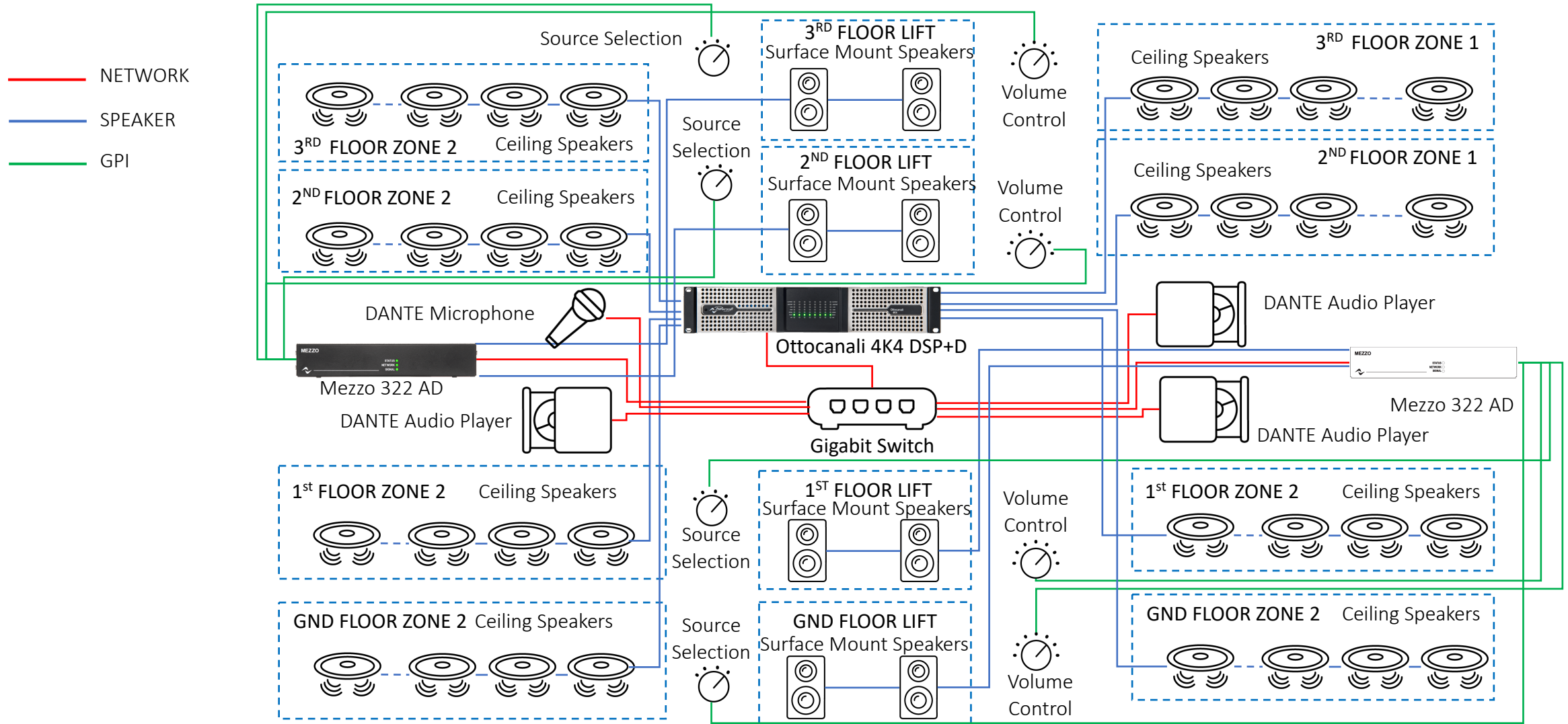
Thanks to the combination of Mezzo and Ottocanali 3 different background music sources can be selected for each floor of this multi-floor shopping center using the GPI inputs available. A Dante microphone can be used for paging and messaging. Utilizing the built-in DSP power of the products will allow for cost-saving and efficient integration and save on the cost of additional equipment. The small footprint will save cabling, rack space, and wiring.

Key Features:

- Power sharing allows for the flexible power allocation to high impedance and low impedance loudspeakers
- GPI source selection and volume allows for cost effective and efficient control per floor
- Very simple and straight forward user interface using analog wall panels
- Huge cost saving in equipment and rack space needed

SHOPPING CENTER

Shopping Center Application



SHOPPING CENTER

Shopping Center Application

Featured Products:

Mezzo 322AD



Output Stage		322 A/AD	
Max. output power		symmetric	a-sym.
	per channel @ 100 V	160 W	320 W
	per channel @ 70 V	160 W	320 W
	per channel @ 16 Ω	160 W	320 W
	per channel @ 8 Ω	160 W	320 W
	per channel @ 4 Ω	160 W	320 W

Ottocanali 4k4 DPS+D



8 ch. Output Stage		4k4 DPS+D	
Max. output power		symmetric	a-sym.
	per channel @ 100 V	500 W	650 W
	per channel @ 70 V	500 W	650 W
	per channel @ 8 Ω	250 W	650 W
	per channel @ 4 Ω	500 W	650 W
	per channel @ 2 Ω	450 W	450 W