

LARGE SUPERMARKET

Large Supermarket Application

System Overview:

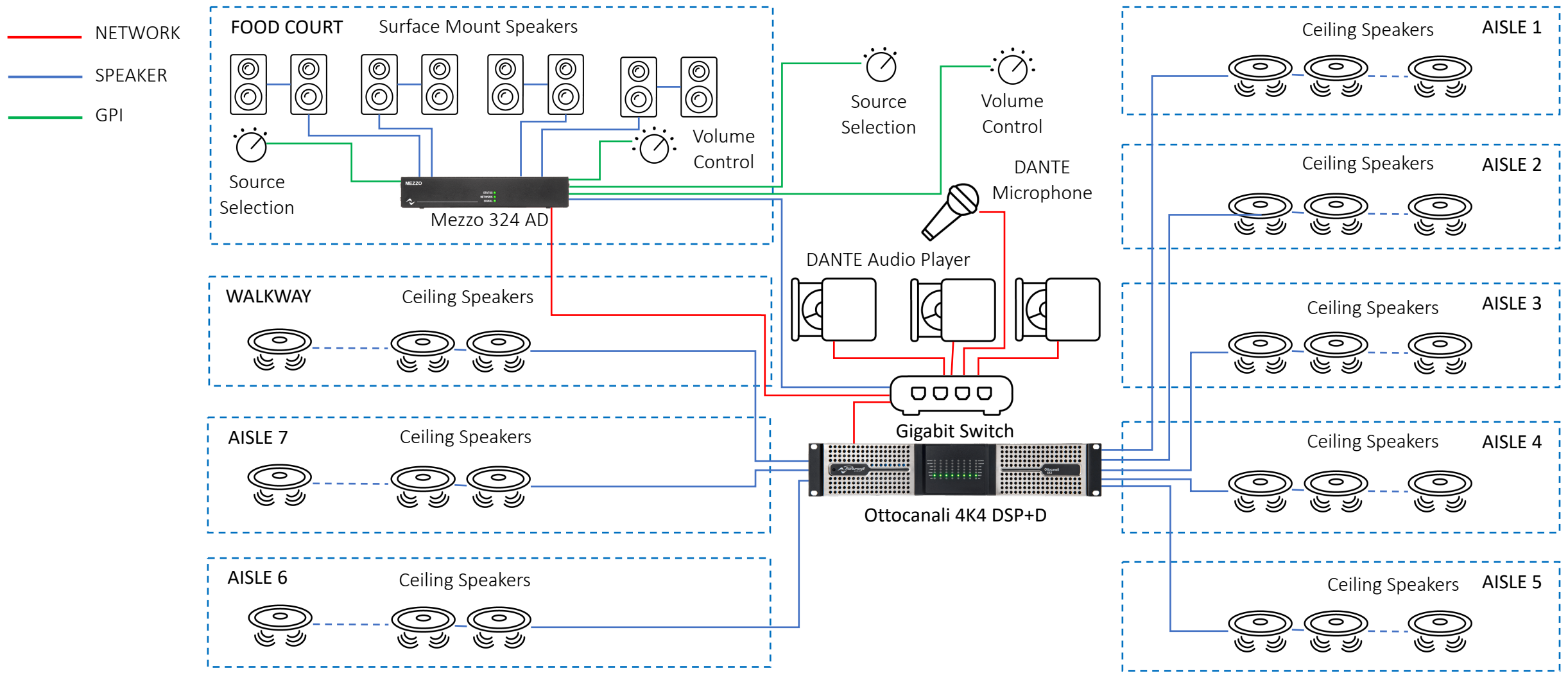
In this prime supermarket example, audio quality and flexibility will complete the shopping experience. This system, consisting of a combination of Mezzo and Ottocanali DSP+ D, is comparted among the various ails and areas and allows for individual source and volume control. At the same time, a paging microphone will allow for efficient announcements interrupting the selected background music per zone.

Key Features:

- Full power sharing allows for flexible use of sub-woofer and high impendence loudspeakers.
- Using the priority capability of Mezzo's source selection, a Dante microphone can be used to provide all call functionality.
- Analog volume control enables the user to control the zone's local output to match the ambiance.
- Just one Mezzo and Ottocanali DSP +D needed as the brainpower for this system.

LARGE SUPERMARKET

Large Supermarket Application



LARGE SUPERMARKET

Large Supermarket Application

Featured Products:

Mezzo 324AD



4 ch. Output Stage		324 A/AD	
Max. output power		symmetric	a-sym.
	per channel @ 100 V	160 W	320 W
	per channel @ 70 V	160 W	320 W
	per channel @ 16 Ω	160 W	320 W
	per channel @ 8 Ω	160 W	320 W
	per channel @ 4 Ω	160 W	320 W

Ottocanali 4k4 DPS+D



8 ch. Output Stage		4k4 DPS+D	
Max. output power		symmetric	a-sym.
	per channel @ 100 V	500 W	650 W
	per channel @ 70 V	500 W	650 W
	per channel @ 8 Ω	250 W	650 W
	per channel @ 4 Ω	500 W	650 W
	per channel @ 2 Ω	450 W	450 W