

# CLASSROOM

## 2.1 system with delay speakers and full input routing

### System Overview:

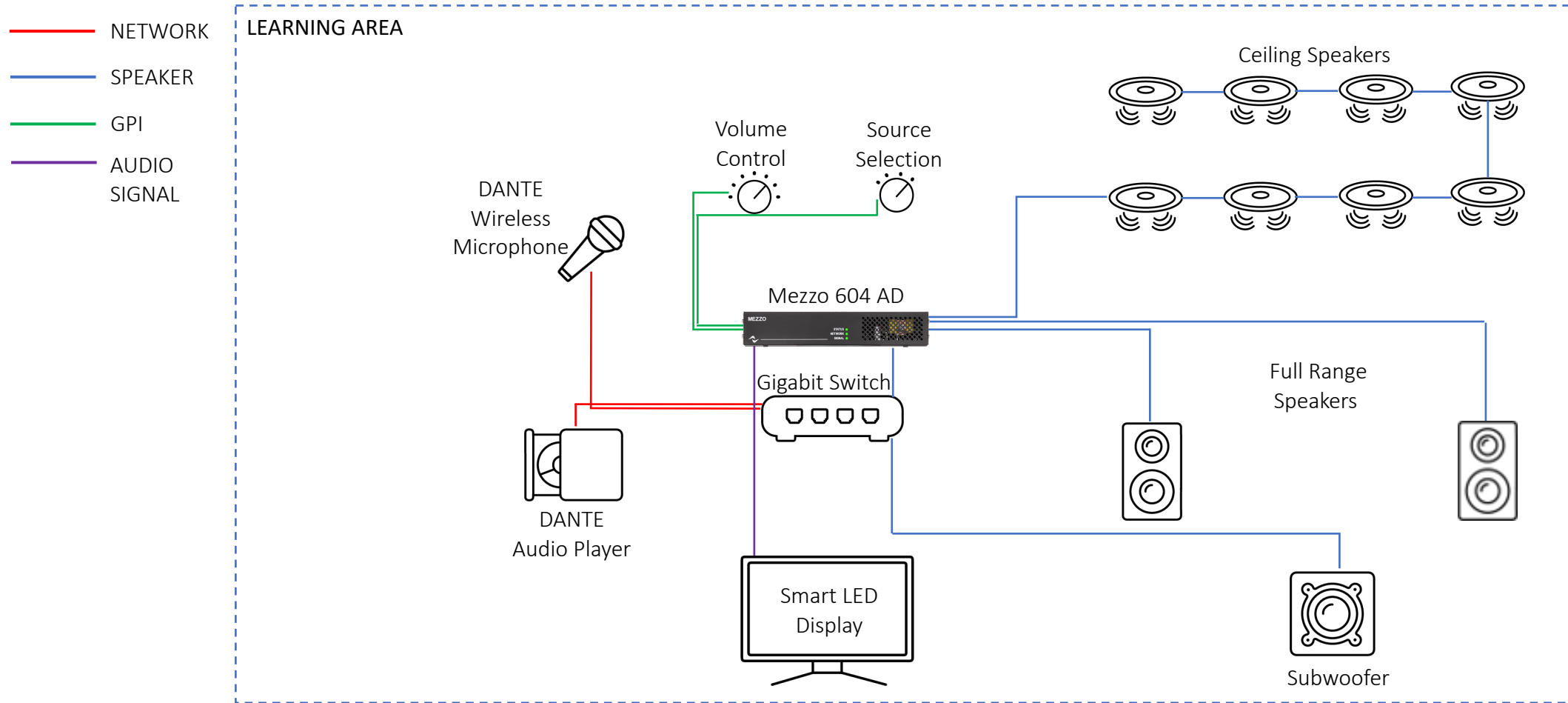
This classroom offers full flexibility and comprises of a low impedance 2.1 system( left/right system with subwoofer) and high impedance ceiling mount loudspeakers. Efficiency is combined with price reduction by routing computer audio from the Smart Board directly in the amplifier. All source selection and volume control is handled by the internal GPI , eliminating any additional equipment.

### Key Features:

- Full power sharing allow for flexible use of sub-woofer, full range and high impedance loudspeakers
- Direct audio input from smart board
- Straight forward and cost-efficient source selection using GPI
- Cost saving in mounting the audio equipment as part of the lecture stand. No additional rack required.

# CLASSROOM

## 2.1 system with delay speakers and full input routing



# CLASSROOM

## 2.1 system with delay speakers and full input routing

Featured Products:

### Mezzo 604AD



Output Stage	604 A/AD	
Max. output power		symmetric a-sym.
	per channel @ 100 V	125 W 500 W
	per channel @ 70 V	150 W 600 W
	per channel @ 16 $\Omega$	150 W 600 W
	per channel @ 8 $\Omega$	150 W 600 W
	per channel @ 4 $\Omega$	150 W 400 W