

## DigiMod 3004PFC4

The **DigiMod 3004PFC4** is an amplifier module featuring 4 output channels, each one able to deliver up to 2000 W on 4  $\Omega$ . The highly compact design, integrating all 4 channels and the power supply in a single chassis, makes the **DigiMod 3004PFC4** a unique product. Capable of amazing sonic performance, the 6-layers PCB and a new power supply design equipped with PFC and featuring Smart Rails Management grant incredible efficiency.

The **DigiMod 3004PFC4** is fully compatible with all existing Powersoft DSP solutions, and together with the DSP-4, it is the most advanced platform for 3-way active systems.

### Specifications

AC Mains Power	
Operating voltage	AC 100 V – 240 V $\pm$ 10%, 50/60Hz
Efficiency	> 75% (typical)
Power factor $\cos(\phi)$	> 0.90 @ 4 $\Omega$ full power
Power consumption	
1/8 of max power @ 8 $\Omega$ bridged	600 W
Max aux supply current draw	500 mA
Max environmental operating temperature	40°C (104°F)
Construction	
Dimensions	309 mm x 122 mm x 79 mm (12" x 4.8" x 3.1")
Weight	2.400 kg (5.3 lb)



### Technical Support

Should you encounter any difficulties in operating this amplifier module, please do not hesitate to contact our technical support. We will be glad to be of assistance.

[support@powersoft.it](mailto:support@powersoft.it)

Powersoft  
Via Enrico Conti, 13/15  
50018 Scandicci - Firenze  
Italy  
Tel/fax: +39 055 735 1386

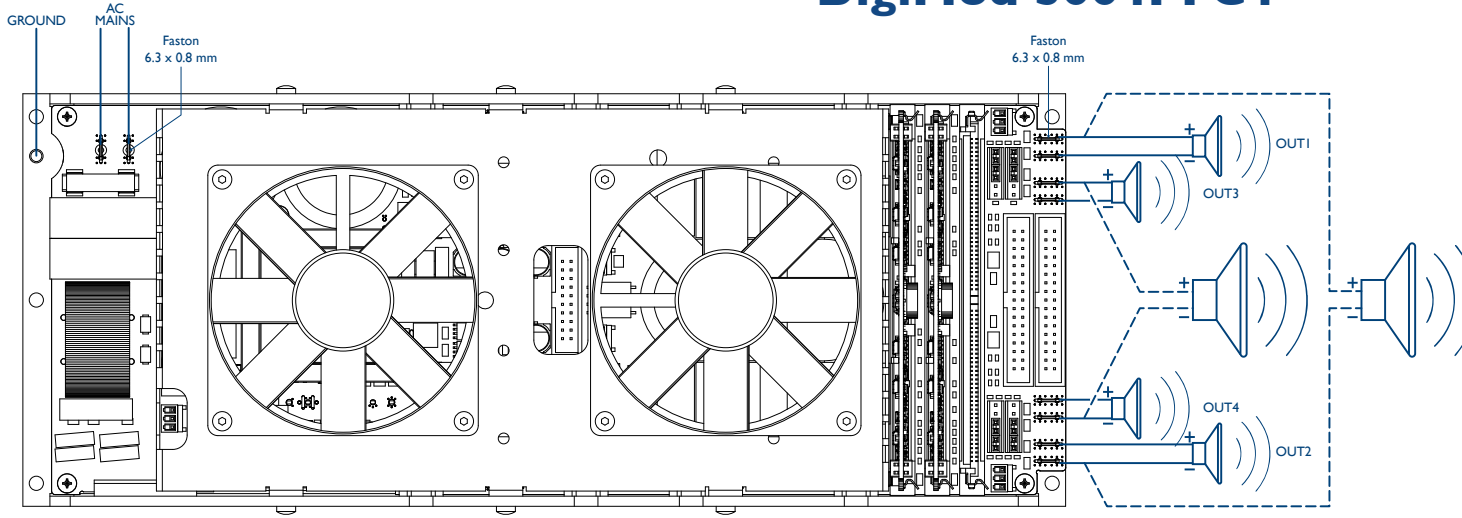


  
Via Enrico Conti, 5  
50018 Scandicci (FI)  
[www.powersoft-audio.com](http://www.powersoft-audio.com)

Quick Guide

**DigiMod  
3004PFC4**

# DigiMod 3004PFC4

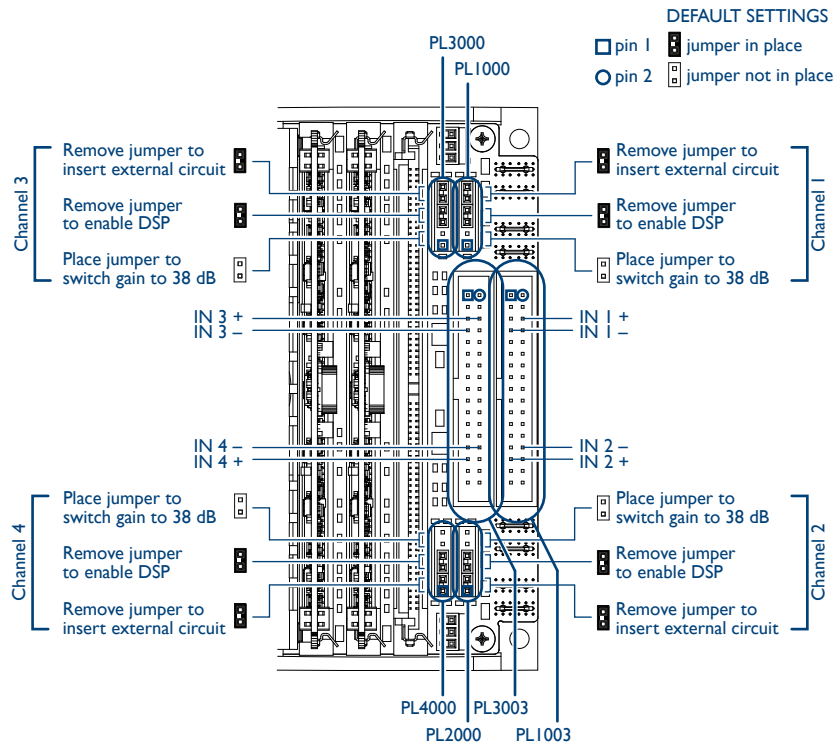


PL1000	
1	BY31
2	BY41
3	BY41
4	BY21
5	BY21
6	BY11

PL3000	
1	BY33
2	BY43
3	BY43
4	BY23
5	BY23
6	BY13

PL2000	
1	BY12
2	BY22
3	BY22
4	BY42
5	BY42
6	BY32

PL4000	
1	BY14
2	BY24
3	BY24
4	BY44
5	BY44
6	BY34



PL1003	
1	SDPWS
2	RESERVED
3	RESERVED
4	RESERVED
5	GND
6	IN 1 +
7	IN 1 -
8	GND
9	VOUT1MON
10	PROTECT1
11	IOUT1MON
12	TEMPMON12
13	+12VDC OUT
14	-12VDC OUT
15	MUTE12
16	+VCCMON
17	-VCCMON
18	-VCCMON
19	+VCCMON
20	MUTE12
21	-12VDC OUT
22	+12VDC OUT
23	TEMPMON12
24	IOUT2MON
25	PROTECT2
26	VOUT2MON
27	GND
28	IN 2 -
29	IN 2 +
30	GND
31	RESERVED
32	RESERVED
33	RESERVED
34	SDPWS

PL3003	
1	SDPWS
2	RESERVED
3	RESERVED
4	RESERVED
5	GND
6	IN 3 +
7	IN 3 -
8	GND
9	VOUT3MON
10	PROTECT3
11	IOUT3MON
12	TEMPMON34
13	+12VDC OUT
14	-12VDC OUT
15	MUTE34
16	+VCCMON
17	-VCCMON
18	-VCCMON
19	+VCCMON
20	MUTE34
21	-12VDC OUT
22	+12VDC OUT
23	TEMPMON34
24	IOUT4MON
25	PROTECT4
26	VOUT4MON
27	GND
28	IN 4 -
29	IN 4 +
30	GND
31	RESERVED
32	RESERVED
33	RESERVED
34	SDPWS