

DigiMod 3000PFC

DigiMod 3000PFC is a high-power modular amplification platform capable of delivering up to 4000W to a max of 6 output channels. The power supply and 2-channel amplifier are available both as separated units and integrated in a single, compact chassis, for maximum mechanical flexibility. Solid and consistent performances worldwide and clean output signal in all operating conditions are achieved thanks to the 4th generation PFC and fixed frequency PWM design.

Unsurpassed power capabilities, together with sound clarity and flexibility make the **DigiMod 3000PFC** the ultimate solution for powering top level line arrays, powerful subwoofers and high performances multi-channel applications.

Specifications

AC Mains Power	
Operating voltage	AC 85V – 250V @ 50/60Hz with PFC
Efficiency	> 75% (typical)
Power consumption	
1/8 of max power @ 8 Ω bridged	600 VA
Max aux supply current draw	200 mA
Construction	
Dimensions	Single Unit 309 mm x 122 mm x 69 mm (12" x 4.8" x 2.7")
	Amplifier Unit 140 mm x 122 mm x 69 mm (5.75" x 4.8" x 2.7")
	Power Supply 216 mm x 122 mm x 69 mm (8.5" x 4.8" x 2.7")
Weight	Single Unit: 2.27 kg (5 lb) Amplifier Unit: 0.8 kg (1.76 lb) Power Supply: 1.53 kg (2.2 lb)

Technical Support

Should you encounter any difficulties in operating this amplifier module, please do not hesitate to contact our technical support. We will be glad to be of assistance.

support@powersoft.it

Powersoft
Via Enrico Conti, 13/15
50018 Scandicci - Firenze
Italy
Tel/fax: +39 055 735 1386

Powersoft



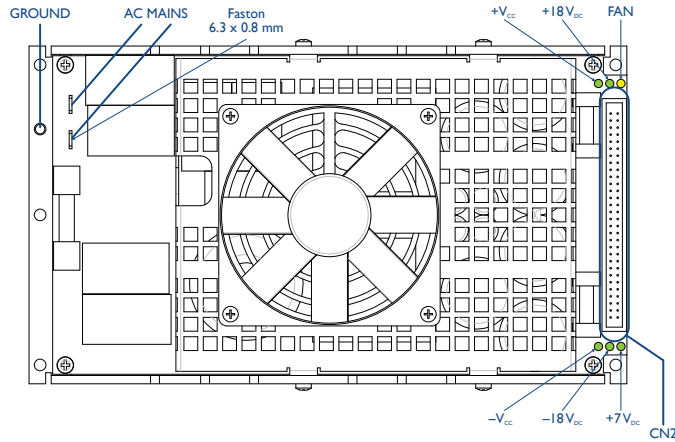
Powersoft
Via Enrico Conti, 5
50018 Scandicci (FI)
www.powersoft-audio.com

Quick Guide

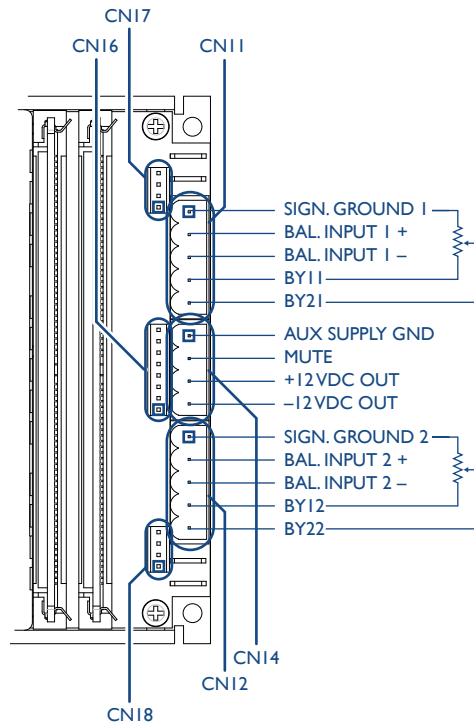
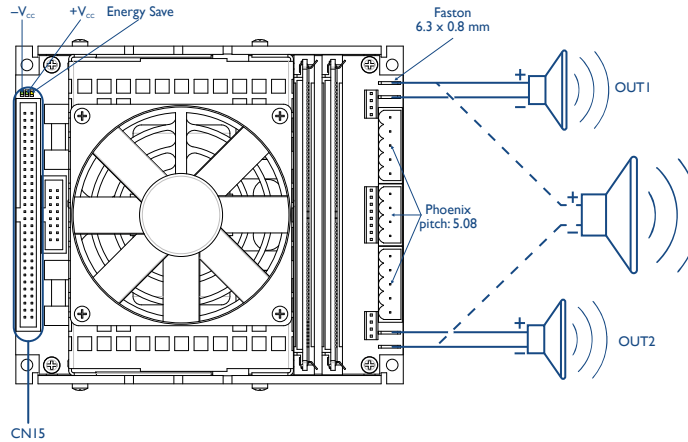
**DigiMod
3000PFC**

DigiMod 3000PFC power supply & amplifier

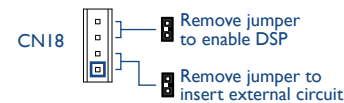
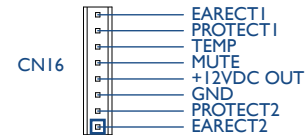
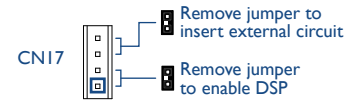
power supply unit



amplifier unit



DEFAULT SETTINGS
 jumper in place
 pin 1 jumper not in place



CN11

1	SIGN. GND 1
2	BAL. INPUT 1 +
3	BAL. INPUT 1 -
4	BY12
5	BY22

CN17

1	BY31
2	BY21
3	BY21
4	BY11

CN14

1	AUX SUP. GND
2	MUTE
3	+12VDV
4	-12VDC

CN16

1	EARECT2
2	PROTECT2
3	GND
4	+12VDC OUT
5	MUTE
6	TEMP
7	PROTECT1
8	EARECT1

CN12

1	SIGN. GND 2
2	BAL. INPUT 2 +
3	BAL. INPUT 2 -
4	BY12
5	BY22

CN18

1	BY12
2	BY22
3	BY22
4	BY32

Notes

- **CN2 connector**
Power connector: use Powersoft ower cable CB000218 / 224 to connect DigiMod 3000PFC single unit or DigiMod 3000PFC power supply unit to CN15 connector on DigiMod 3000PFC amplifier unit.