

DigiMod 2000HV

The **DigiMod 2000HV** is a power amplifier module specifically designed for 2-channel applications where high output voltage level is required, and with its 2x1050W on 8Ω and 1x2100W in bridged mode is the perfect engine to drive rock solid double subwoofers or high power 2-way systems.

Specifically designed DSP boards with advanced processing, remote control and networking capabilities are available for **DigiMod 2000HV**, to perfectly fit with the amplifier and providing a complete solution in a compact package.

Specifications

AC Mains Power	
Operating voltage	AC 195V – 250V @ 50/60Hz, $I_{nom}^* = 2.9 A_{RMS}$
	AC 95V – 125V @ 50/60Hz, $I_{nom}^* = 5.5 A_{RMS}$
	* 1/8 max output power
Efficiency	> 80% (typical)
Power consumption	
1/8 of max power @ 8 Ω bridged	410 VA
Max aux supply current draw	200 mA
Construction	
Dimensions	216 mm x 122 mm x 69 mm (8.5" x 4.8" x 2.7")
Weight	1.15 kg (2.5 lb)

FIXED
switching
frequency

AUTO
mains selection
optional

DSP
add-on



Technical Support

Should you encounter any difficulties in operating this amplifier module, please do not hesitate to contact our technical support. We will be glad to be of assistance.

support@powersoft.it

Powersoft
Via Enrico Conti, 13/15
50018 Scandicci - Firenze
Italy
Tel/fax: +39 055 735 1386

Powersoft
Via Enrico Conti, 5
50018 Scandicci (FI)
www.powersoft-audio.com

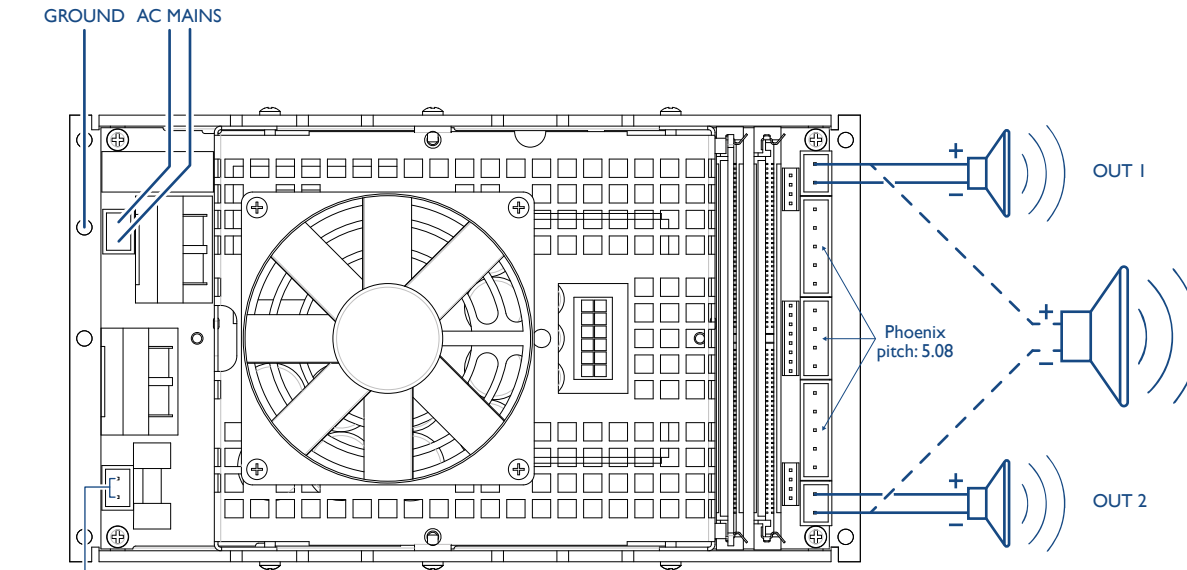
Powersoft



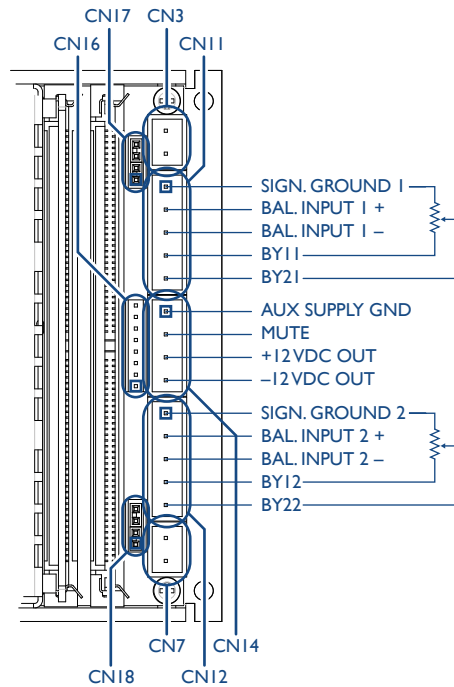
Quick Guide

**DigiMod
2000HV**

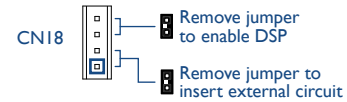
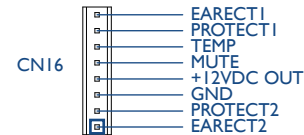
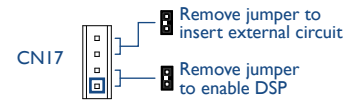
DigiMod 2000HV



Place jumper to set operating voltage to 115V_{AC}



DEFAULT SETTINGS
 jumper in place
 pin 1 jumper not in place



CN11	
1	SIGN. GND 1
2	BAL. INPUT 1 +
3	BAL. INPUT 1 -
4	BY12
5	BY22

CN17	
1	BY31
2	BY21
3	BY21
4	BY11

CN14	
1	AUX SUP. GND
2	MUTE
3	+12VDV
4	-12VDC

CN16	
1	EARECT2
2	PROTECT2
3	GND
4	+12VDC OUT
5	MUTE
6	TEMP
7	PROTECT1
8	EARECT1

CN12	
1	SIGN. GND 2
2	BAL. INPUT 2 +
3	BAL. INPUT 2 -
4	BY12
5	BY22

CN18	
1	BY12
2	BY22
3	BY22
4	BY32